

# DOMESTIC HOT WATER AND BUFFER TANKS

## THERMATEC STAINLESS STEEL DUPLEX DOMESTIC HOT WATER TANKS

- with one coil and a buffer tank:  
TH-CWU200/ZB60

### TANK VERSIONS

- SILVER - silver color | magnesium anode



THERMATEC STAINLESS STEEL  
DOMESTIC HOT WATER AND BUFFER TANKS

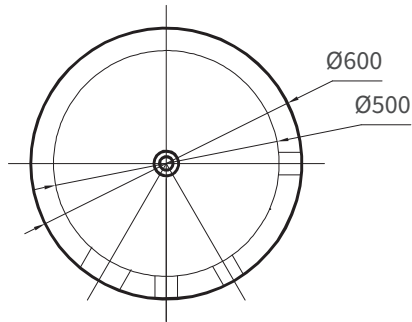
## TECHNICAL SPECIFICATIONS

### Technical Data for THERMATEC Domestic Hot Water Tank and THERMATEC Buffer Tank

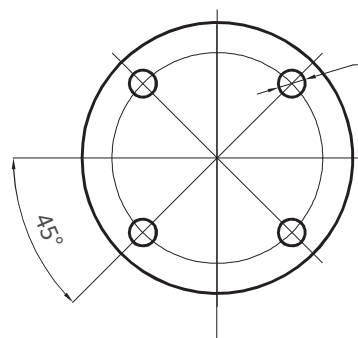
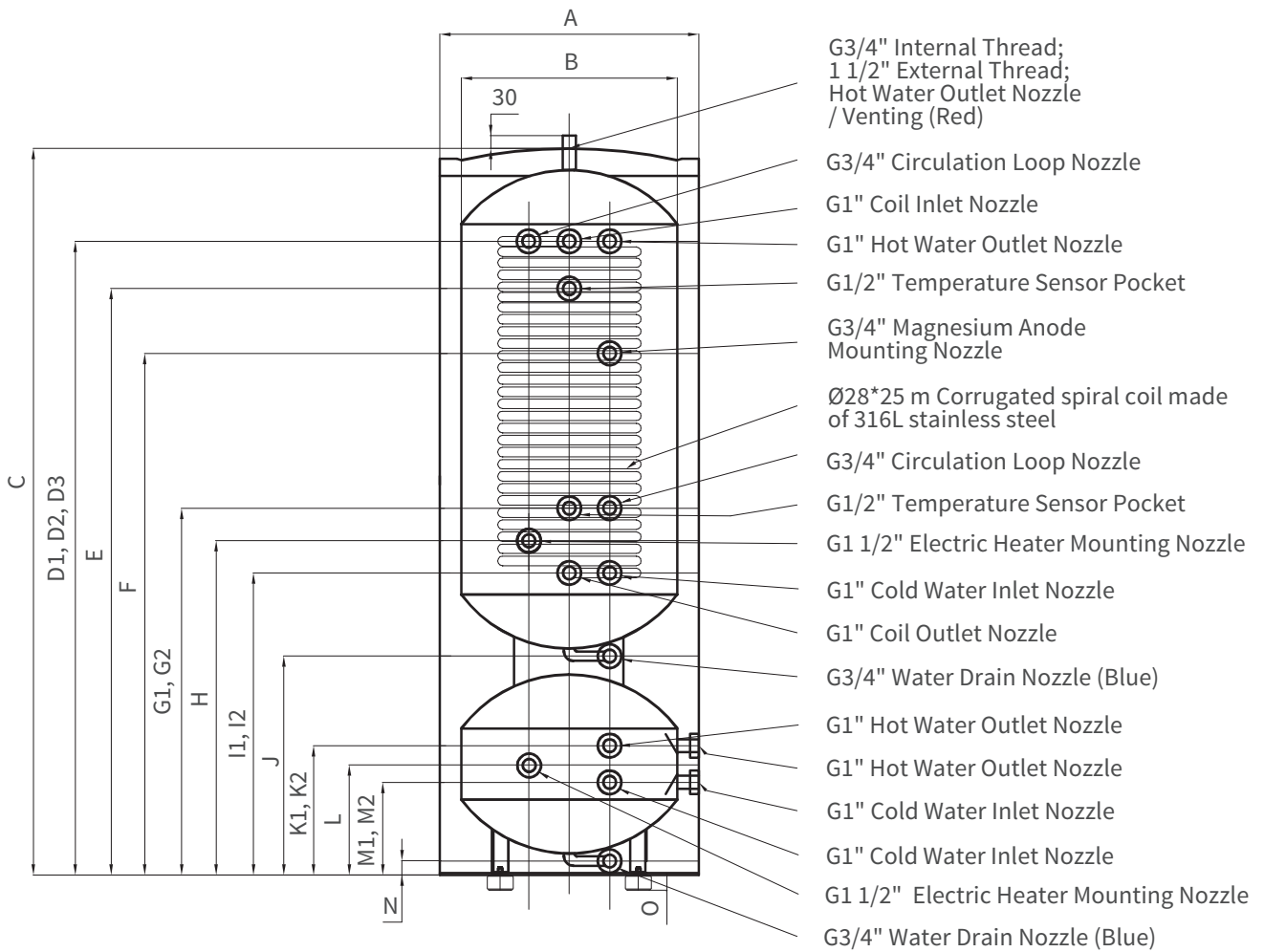
PARAMETERS	SYMBOL	UNIT	MODEL
			TH-CWU200/ZB60
Tank Capacity		l	200 / 60
Tank Enclosure Diameter	A	mm	600
Tank Diameter	B	mm	500
Hot Water Outlet Nozzle, Venting – 1½"	C	mm	1684
Circulation Loop Nozzle – ¾"	D1	mm	1469
Hot Water Outlet Nozzle – 1"	D2	mm	1469
Coil Inlet Nozzle – 1"	D3	mm	1469
Temperature Sensor Pocket – ½"	E	mm	1359
Magnesium Anode Mounting Nozzle – ¾"	F	mm	1209
Circulation Loop Nozzle – ¾"	G1	mm	850
Temperature Sensor Pocket – ½"	G2	mm	850
Electric Heater Mounting Nozzle – 1½"	H	mm	775
Coil Outlet Nozzle – 1"	I1	mm	700
Cold Water Inlet Nozzle – 1"	I2	mm	700
Water Drain Nozzle (blue) – ¾"	J	mm	507
Hot Water Outlet Nozzle – 1"	K1	mm	300
Hot Water Outlet Nozzle – 1"	K2	mm	300
Electric Heater Mounting Nozzle – 1 ½"	L	mm	250
Cold Water Inlet Nozzle – 1"	M1	mm	215
Cold Water Inlet Nozzle – 1"	M2	mm	215
Water Drain Nozzle (blue) – ¾"	N	mm	33
Feet, Supports – x 4	O	mm	35
Corrugated Spiral Coil		mm / m	Φ 28 x 25
Coil Surface Area		m <sup>2</sup>	3,5
Insulation		mm	50
Maximum Operating Temperature		°C	85
Maximum Pressure of Tank and Coil		bar	6
Weight		kg	63
Standstill losses		W	36
ERP Energy Class			A

# TECHNICAL SPECIFICATIONS

## Drawing of THERMATEC Domestic Hot Water Tank and THERMATEC Buffer Tank



**Top View**

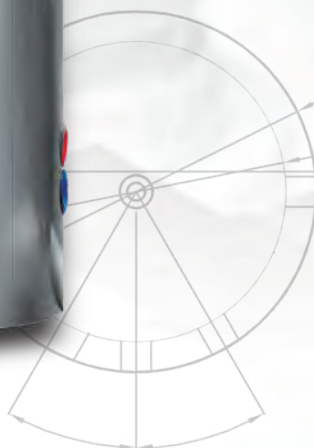
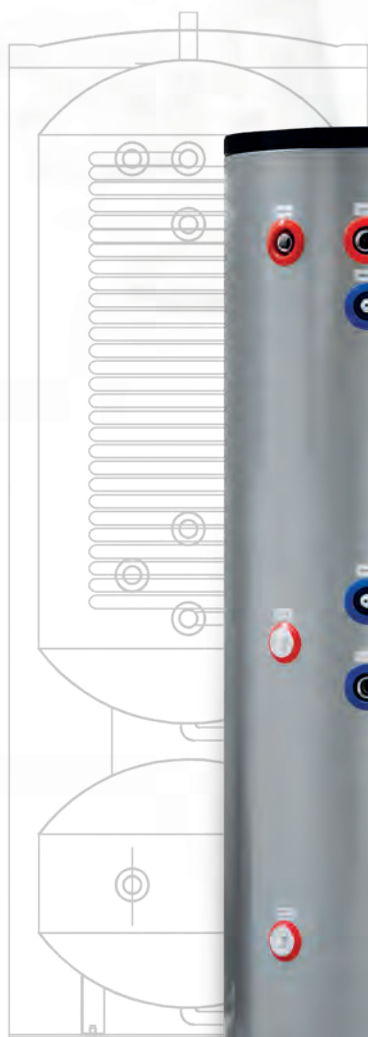


4 - Ø60 Plastic Feet (Supports)

**Bottom View**

MANUFACTURER'S STAMP

**HOME STAR Sp. z o.o.**  
ul. Misjonarzy Oblatów 20A  
40-129 Katowice  
KRS 0000729842 NIP 634 292 88 43



**THERMATEC | Home Star sp. z o.o.**  
Misjonarzy Oblatów MN 20A  
40-129 Katowice, Polska [Poland]

Office: (+48) 32 722 02 03  
Mobile Phone: (+48) 533 222 223  
biuro@thermatec.pl

**TH-CWU200/ZB60**

[www.thermatec.eu](http://www.thermatec.eu) | [www.thermatec.pl](http://www.thermatec.pl) | [www.thermatec.cz](http://www.thermatec.cz) | [www.thermatec.fi](http://www.thermatec.fi) | [www.thermatec.nl](http://www.thermatec.nl)